

|   |   |                        |
|---|---|------------------------|
| Peak Voltage  | kV  | 185                    |
| 1min Short-time (1min) Power-frequency Withstand Voltage  | kV  | 70/95                  |
| Rate Frequency  | Hz  | 50                     |
| Rated Current   | A   | 2500                   |
| Rated Short-time Withstand Current                        | kA  | 31.5                   |
| Rated Duration of Short-circuit                           | s   | 4                      |
| Rated Peak Withstand Current                              | kA  | 80                     |
| Rated Short-circuit Making Current                        | kA  | 80                     |
| Rated Short-circuit Breaking Current                      | kA  | 31.5                   |
| Max. Dc component   |   | 40%                    |
| Switch Operations of Rated Short-circuit Breaking Current | Operations                                    | 20                     |
| Rated Single Capacitor Bank Breaking Current              | A   | 400                    |
| Rated Back-to-back Capacitor Bank Breaking Current        | A   | 400                    |
| Mechanical Endurance                                      | Operations                                    | 10000                  |
| Clearance Between Open Contacts                           | mm  | 18± 1                  |
| Contact Closed Force Due to Bellows and Atmosphere        | N   | 200± 40                |
| Counterforce of Contact at Full Stroke                    | N   | 290± 40                |
| Circuit Resistance at Min. Rated Contact Force            | μ   | 14                     |
| Contact Limit Erosion                                     | mm  | 3                      |
| Mass of Moving Parts                                      | kg  | 2.3                    |
| Internal Gas Pressure                                     | Pa  | <1.33× 10 <sup>3</sup> |
| Shelf Life  | Year  | 20                     |
| Rated Operating Sequence                                  | -0.3 - -180 -<br>Open - 0.3s - CO - 180s - CO |                        |

配套的真空开关设备应满足的机械参数

#### MECHANICAL DATA OF VACUUM SWITCH EQUIPPED WITH THE INTERRUPTERS

| Data   | Unit | Value                             |
|--|------|-----------------------------------|
| Average Opening Speed first 12mm                   | m/s  | 1.7± 0.3                          |
| Average Closing Speed last 6mm                     | m/s  | 1.3± 0.3                          |
| Contact Bounce Duration at Closing Operation       | ms   | 3                                 |
| Out of Simultaneity of Contact Closing and Opening | ms   | 2                                 |
| Rated Contact Pressure                             | N    | 3200 <sup>+300</sup> <sub>0</sub> |
| Contact Pressure at contact touch point            |      | 2250 <sup>+210</sup> <sub>0</sub> |
| Max. rebound of contact at opening Operation       | mm   | 3                                 |
| Overtravel during Opening                          | mm   | 3                                 |

1 " " Npte1: " " Within transformer oil or equivalent isolation medium

2 " " Npte2: " " Rated characteristics to be given on request

3 IEC62271-100 GB1984-2003 E2

Npte3 Meets or exceeds the electrical endurance requirements of class E2 for autoreclosing duty per IEC 62271-100 and GB1984-2003

4 45N.m

Npte4: The movable stem of the VI could only suffering no more than 45N.m twisting force and in order not to damage the metal bellows, the movable stem should be prevent from rotation when assembling. For more requirements please check the Instructions of Usage.

灭弧室的外形尺寸。

手要求，见图1。

TD-40.5/2500-31.5B1(2380)

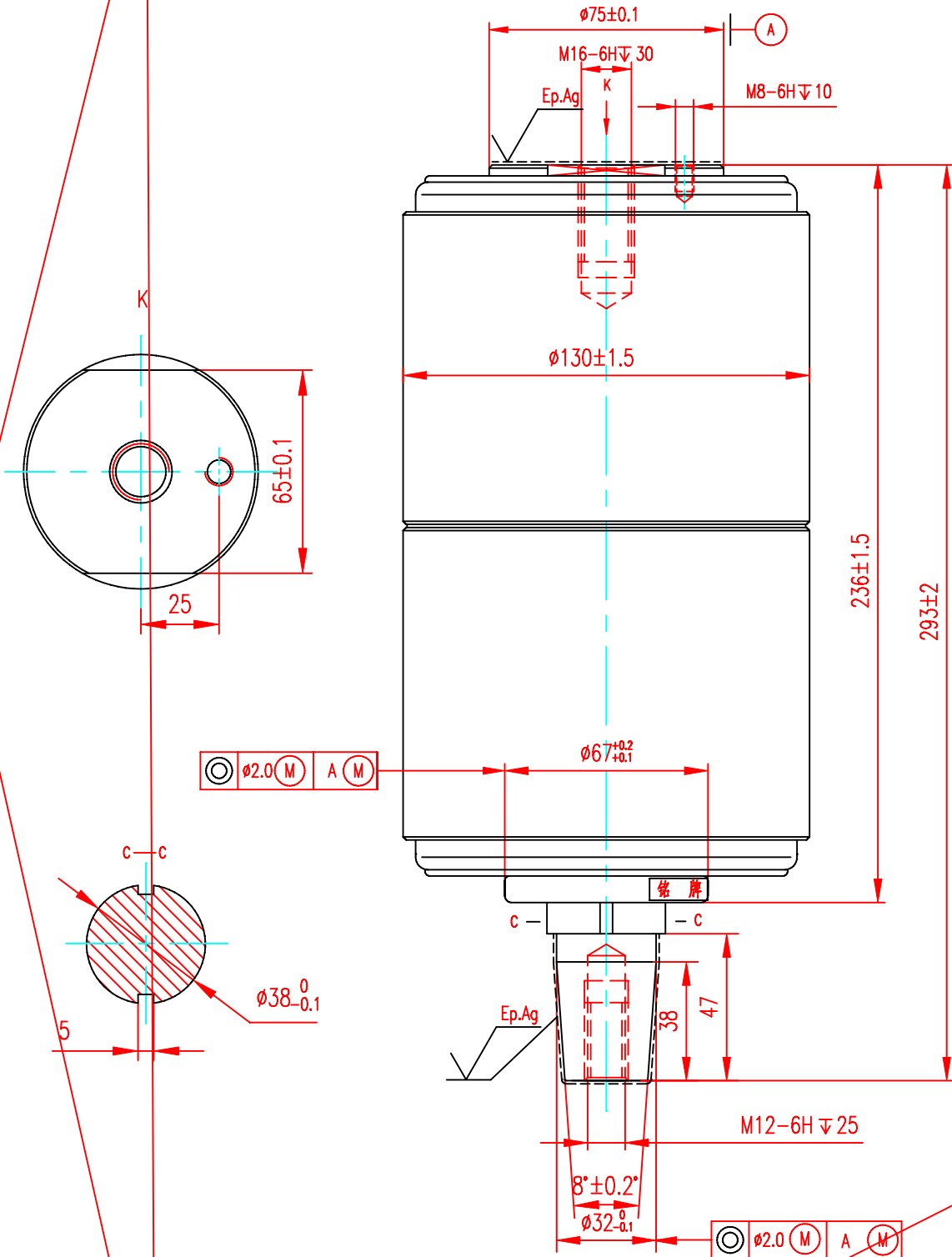


图1

|      |    |
|------|----|
| 责任   | 签字 |
| 制图   |    |
| 绘图   |    |
| 审核   |    |
| 底图总号 |    |
| 底图总号 |    |
| 日期   | 签字 |