

MAIN TECHNICAL DATA

Data	Unit	Value
Rated Voltage	kV	40.5
Lightning Impulse Withstand Voltage (Peak)	kV	185
Short-time (1min) Power-frequency Withstand Voltage	kV	70/95
Rate Frequency	Hz	50
Rated Current	A	1600
Rated Short-time Withstand Current	kA	25
Rated Duration of Short-circuit	s	4
Rated Peak Withstand Current	kA	63
Rated Short-circuit Making Current	kA	63
Rated Short-circuit Breaking Current	kA	25
Max. Dc component		40%
Switch Operations of Rated Short-circuit Breaking Current	Operations	20
Rated Single Capacitor Bank Breaking Current	A	400
Rated Back-to-back Capacitor Bank Breaking Current	A	400
Mechanical Endurance	Operations	10000
Clearance Between Open Contacts	mm	18± 1
Contact Closed Force Due to Bellows and Atmosphere	N	110± 40
Counterforce of Contact at Full Stroke	N	210± 40
Circuit Resistance at Min. Rated Contact Force	μ	20
Contact Limit Erosion	mm	3
Mass of Moving Parts	kg	1.6
Internal Gas Pressure	Pa	<1.33× 10 ³
Shelf Life	Year	20
Rated Operating Sequence		-0.3 - -180 - Open - 0.3s - CO - 180s - CO

MECHANICAL DATA OF VACUUMSWITCH EQUIPPED WITH THE INTERRUPTERS

Data	Unit	Value
Average Opening Speed first 12mm	m/s	1.7± 0.3
Average Closing Speed last 6mm	m/s	1.3± 0.3
Contact Bounce Duration at Closing Operation	ms	3
Out of Simultaneity of Contact Closing and Opening	ms	2
Rated Contact Pressure	N	2900 ⁺³⁰⁰ ₀
Contact Pressure at contact touch point		2050 ⁺²¹⁰ ₀
Max. rebound of contact at opening Operation	mm	3
Overtravel during Opening	mm	3

1 " " Npte1: " " Within transformer oil or equivalent isolation medium

2 " " Npte2: " " Rated characteristics to be given on request

3 IEC62271-100 GB1984-2003 E2

Npte3 Meets or exceeds the electrical endurance requirements of class E2 for autoreclosing duty per IEC 62271-100 and GB1984-2003

4 25N.m

Npte4: The movable stem of the VI could only suffering no more than 25N.m twisting force and in order not to damage the metal bellows, the movable stem should be prevent from rotation when assembling. For more requirements please check the Instructions of Usage.

灭弧室的外形尺寸、安装尺寸应符合按规定程序审批的图样要求，见图1。

TD-40.5/1600-25A(2226)

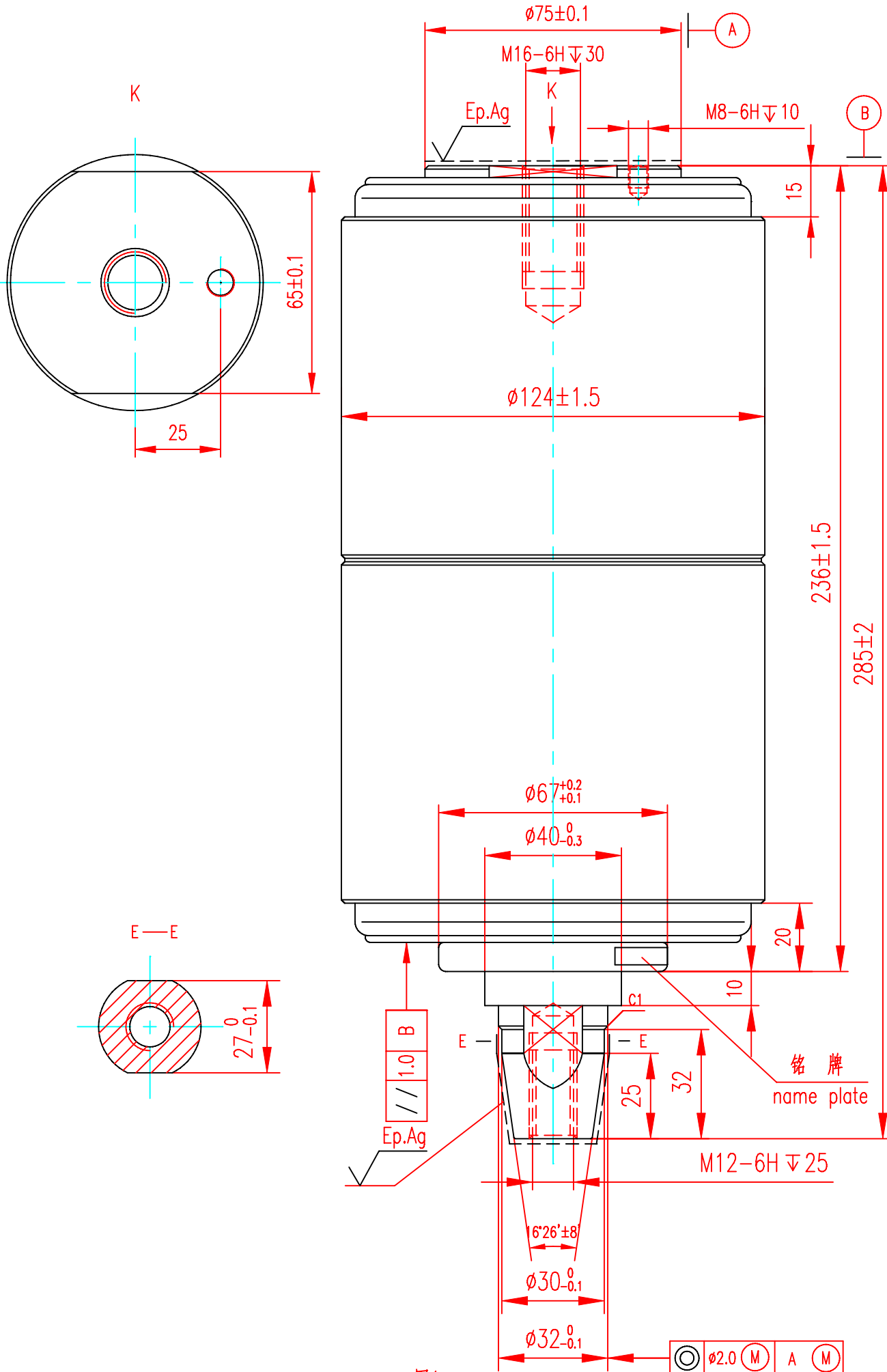


图1

责任	签字
制图	
描图	
描校	
旧底图总号	
底图总号	
日期	签字